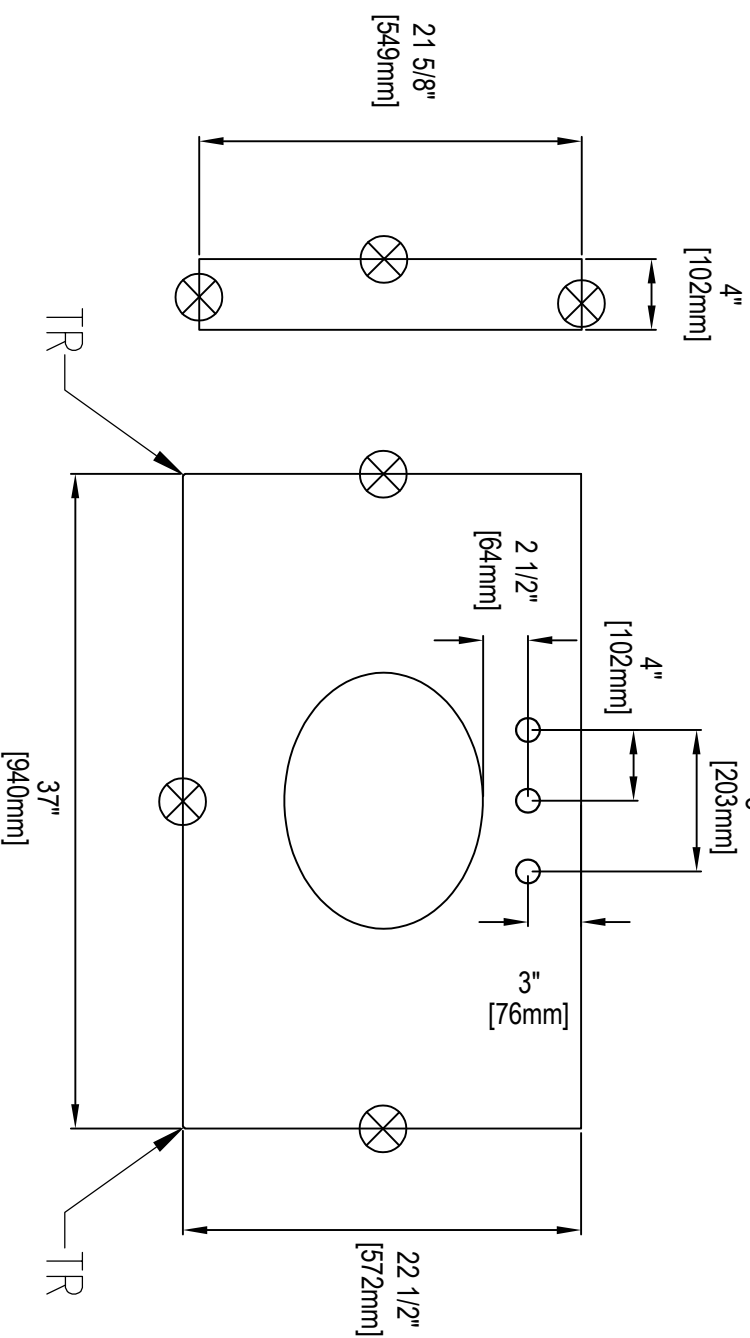
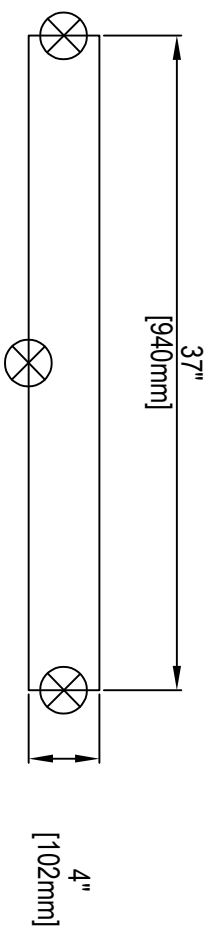
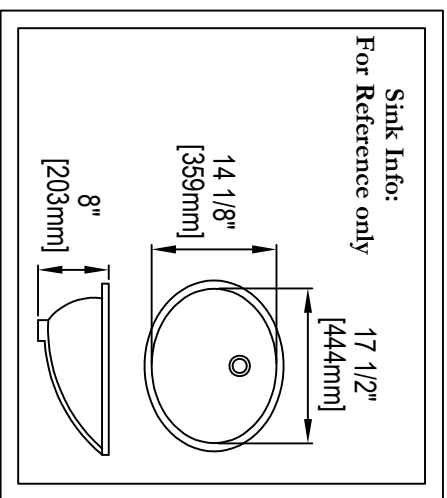


GRANITE/QUARTZ KEY NOTES:

- ⊗ = EDGE (STOVE POLISH)
 - BS = BACK SPLASH
 - SS = SIDE SPLASH
 - TR = 1/8" RADIUS
- ALL PARTS MADE TO SIZE UNLESS NOTED WITH A "RECTANGLE" ON THE DIMENSION



Virgin Surfaces, Plot No.133/A,
Phase III, 1 Pashyamilaram,
Sangareddy, Hyderabad,
Telangana, India -502307
E-mail : info@virginsurfaces.com
Website : www.virginsurfaces.com



virginsurfaces.com

These drawings or parts thereof are the property of Virgin Surfaces and may not be duplicated for any purpose without prior written consent from Virgin Surfaces.

Material Thickness :
2CM

Sink info :
Undermount
Suitable with
Kohler Model-2210,2209
Cut by Template

Title :
37" Vanity Top

Packing info :
Corrugated box packing

Scale :
not to scale

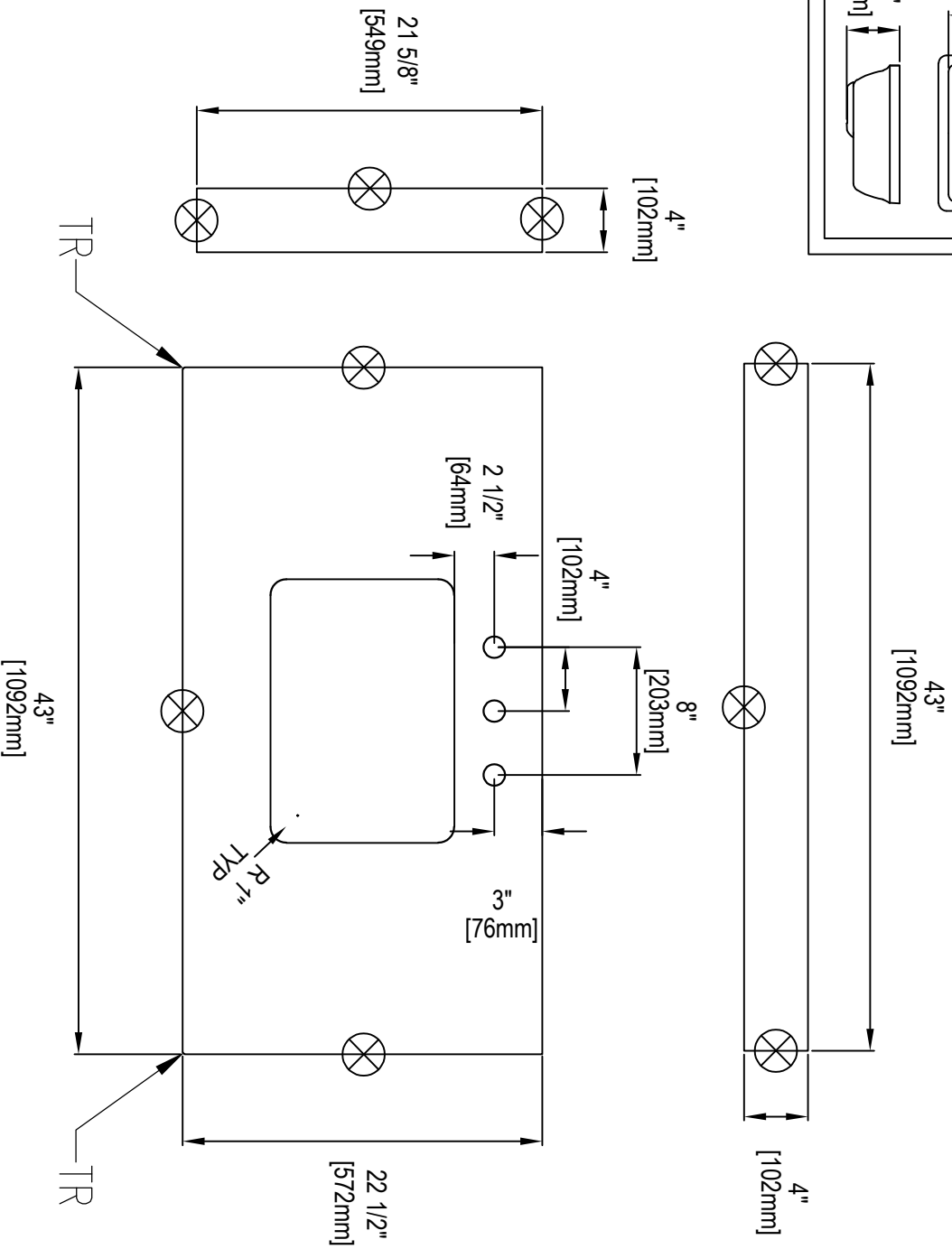
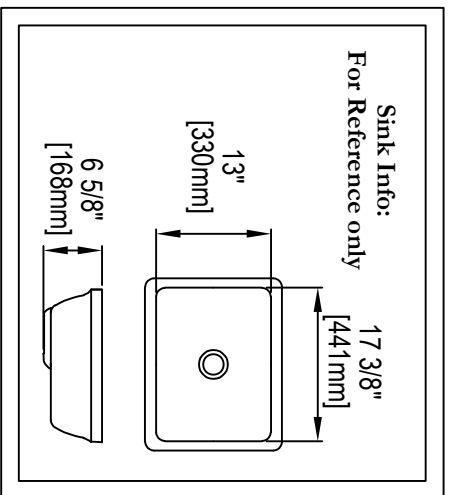
Model Number :
VS-3722

Revision -01
Date : 21-03-2022

Drawn By :
Pavani.M

GRANITE/QUARTZ KEY NOTES:

- ⊗ = EDGE (STOVE POLISH)
 - BS = BACK SPLASH
 - SS = SIDE SPLASH
 - TR = 1/8" RADIUS
- ALL PARTS MADE TO SIZE UNLESS NOTED WITH A "RECTANGLE" ON THE DIMENSION



Virgin Surfaces, Plot No.133/A,
Phase III, 1 Pashyamilaram,
Sangareddy, Hyderabad,
Telangana, India -502307
E-mail : info@virginsurfaces.com
Website : www.virginsurfaces.com



virginsurfaces.com

These drawings or parts thereof are the property of Virgin Surfaces and may not be duplicated for any purpose without prior written consent from Virgin Surfaces.

Material Thickness :
2CM

Sink info :
Undermount
Suitable with
Kohler Model-019,020,021
Cut by Template

Title :
43" Vanity Top

Packing info :
Corrugated box packing

Scale :
not to scale

Model Number :
VS-4322

Revision -01
Date : 21-03-2022

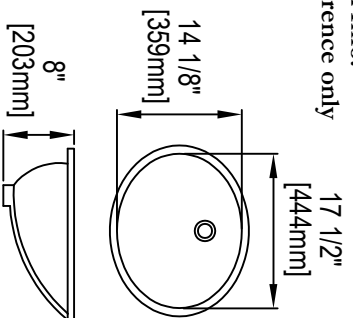
Drawn By :
Pavani.M

GRANITE/QUARTZ KEY NOTES:

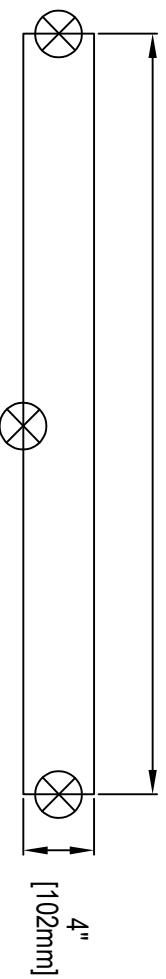
- ⊗ = EDGE (STOVE POLISH)
 - BS = BACK SPLASH
 - SS = SIDE SPLASH
 - TR = 1/8" RADIUS
- ALL PARTS MADE TO SIZE UNLESS NOTED WITH A "RECTANGLE" ON THE DIMENSION

Sink Info:

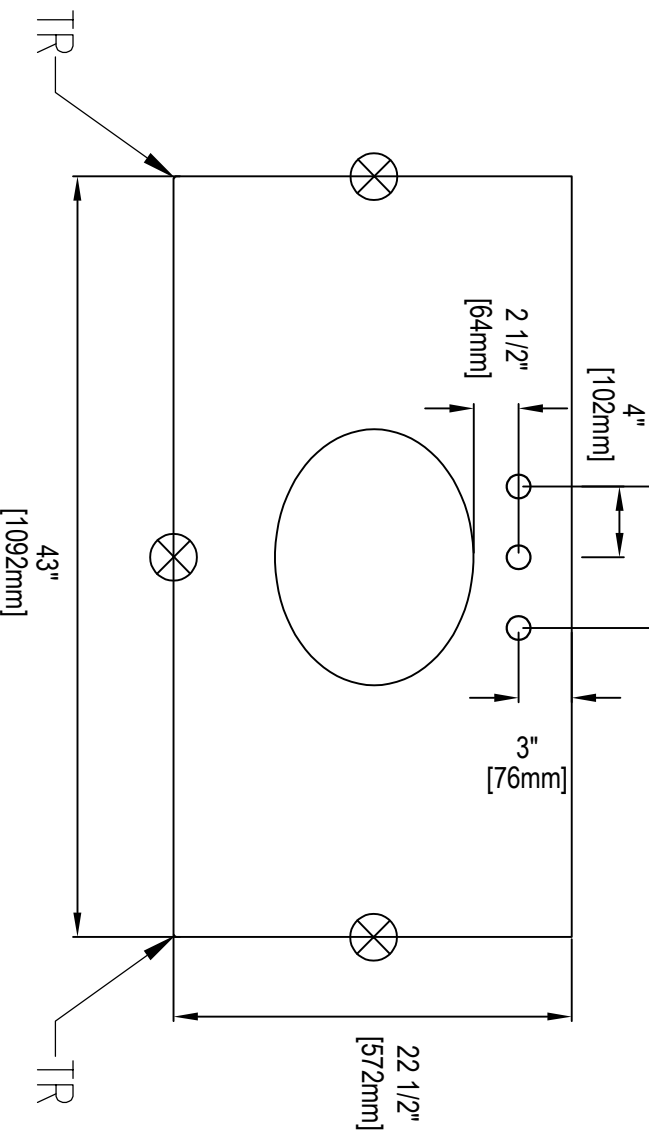
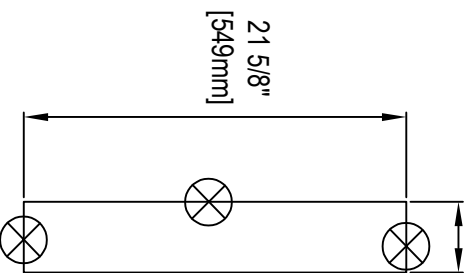
For Reference only



43"
[1092mm]



4"
[102mm]



Granite | Quartz | Countertops

virginsurfaces.com

Virgin Surfaces, Plot No.133/A,
Phase III, 1 Pashyamiaram,
Sangareddy, Hyderabad,
Telangana, India -502307
E-mail : info@virginsurfaces.com
Website : www.virginsurfaces.com

These drawings or parts thereof are the property of Virgin Surfaces and may not be duplicated for any purpose without prior written consent from Virgin Surfaces.

Material Thickness :
2CM

Sink info :
Undermount
Suitable with
Kohler Model-2210,2209
Cut by Template

Title :
43" Vanity Top

Packing info :
Corrugated box packing

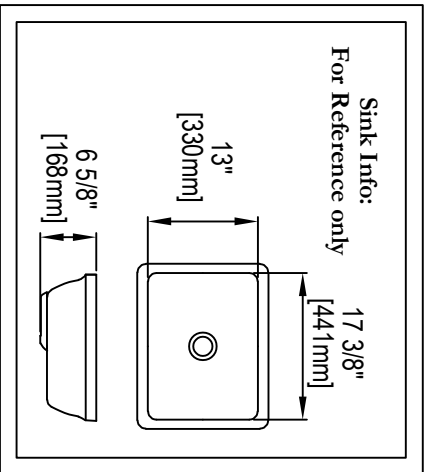
Scale :
not to scale

Model Number :
VS-4322

Revision -01
Date : 21-03-2022

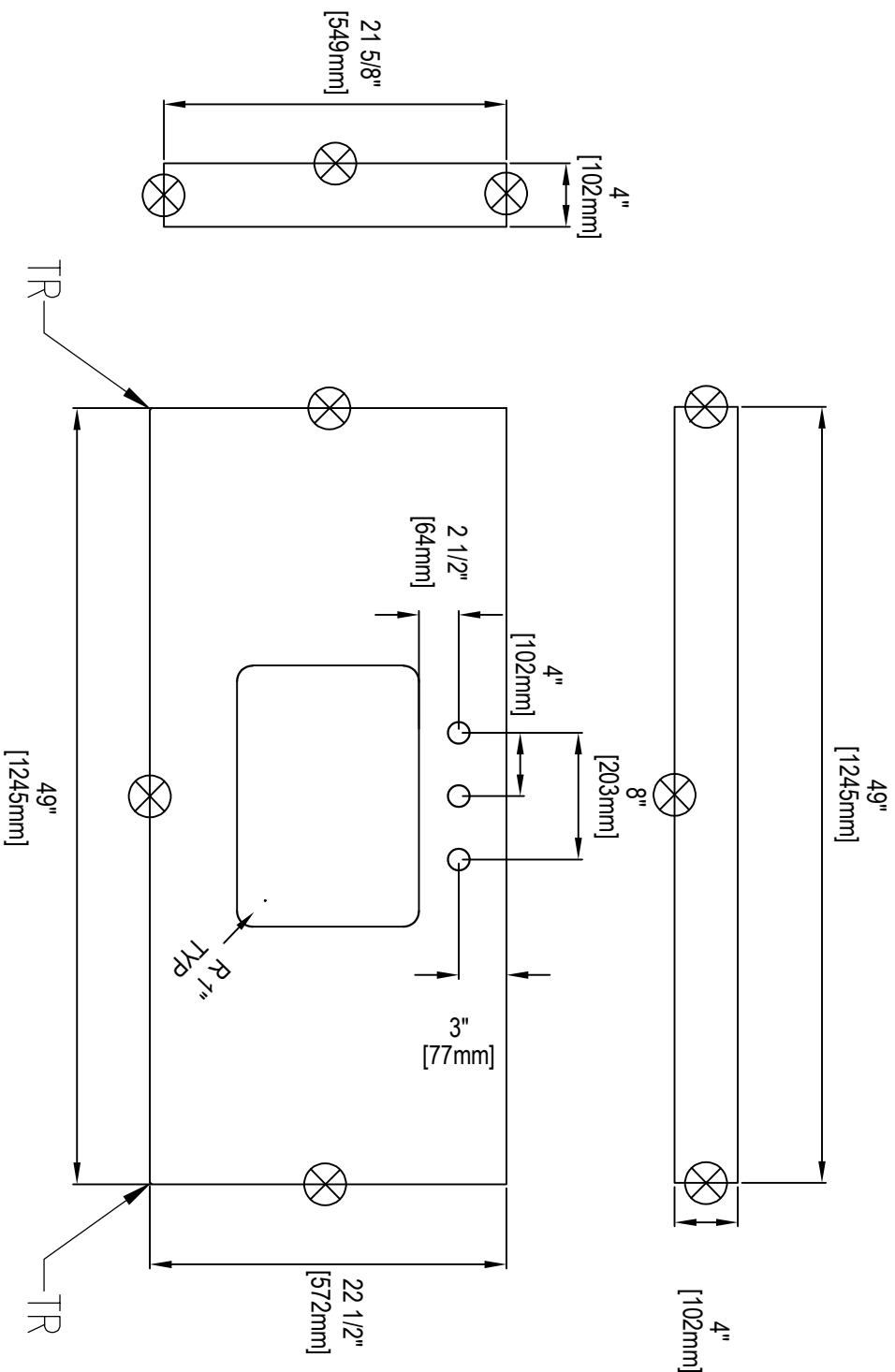
Drawn By :

Pavani.M



GRANITE/QUARTZ KEY NOTES:

- ⊗ = EDGE (STOVE POLISH)
 - BS = BACK SPLASH
 - SS = SIDE SPLASH
 - TR = 1/8" RADIUS
- ALL PARTS MADE TO SIZE UNLESS NOTED WITH A "RECTANGLE" ON THE DIMENSION



Virgin Surfaces, Plot No.133/A,
Phase III, 1 Pashyamilaram,
Sangareddy, Hyderabad,
Telangana, India -502307
E-mail : info@virginsurfaces.com
Website : www.virginsurfaces.com



These drawings or parts thereof are the property of Virgin Surfaces and may not be duplicated for any purpose without prior written consent from Virgin Surfaces.

Material Thickness :
2CM

Sink info :
Undermount
Suitable with
Kohler Model-019,020,021
Cut by Template

Title :
49" Vanity Top

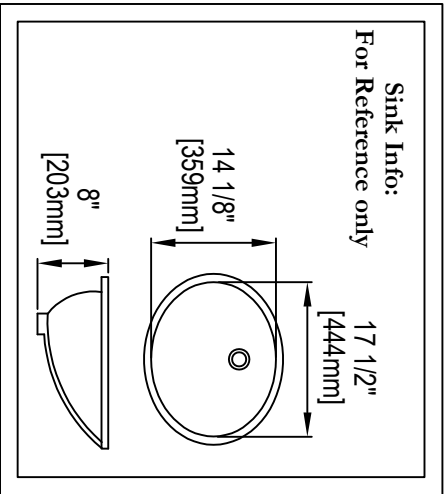
Packing info :
Corrugated box packing

Scale :
not to scale

Model Number :
VS-4922

Revision -01
Date : 21-03-2022

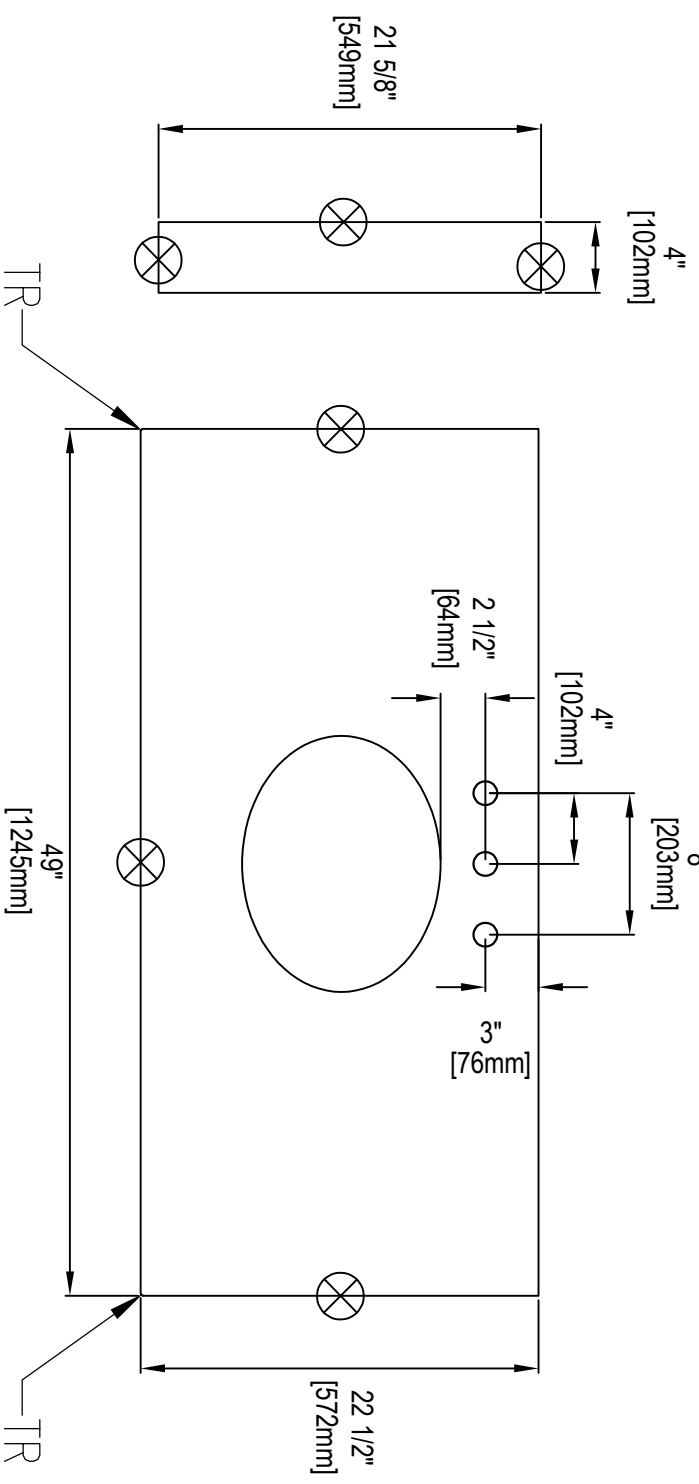
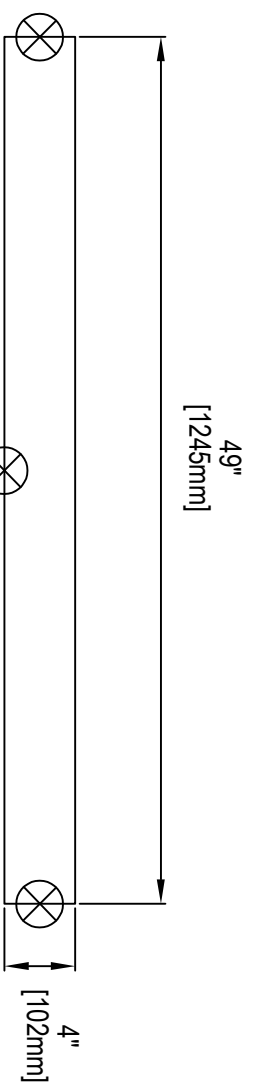
Drawn By :
Pavani.M



GRANITE/QUARTZ KEY NOTES:

- ⊗ = EDGE (STOVE POLISH)
- BS = BACK SPLASH
- SS = SIDE SPLASH
- TR = 1/8" RADIUS

ALL PARTS MADE TO SIZE UNLESS NOTED WITH A "RECTANGLE" ON THE DIMENSION



Granite | Quartz | Countertops

virginsurfaces.com

Virgin Surfaces, Plot No.133/A,
Phase III, 1 Pashyamilaram,
Sangareddy, Hyderabad,
Telangana, India -502307
E-mail : info@virginsurfaces.com
Website : www.virginsurfaces.com

These drawings or parts thereof are the property of Virgin Surfaces and may not be duplicated for any purpose without prior written consent from Virgin Surfaces.

Material Thickness :
2CM

Sink info :
Undermount
Suitable with
Kohler Model-2210,2209
Cut by Template

Title :
49" Vanity Top

Packing info :
Corrugated box packing

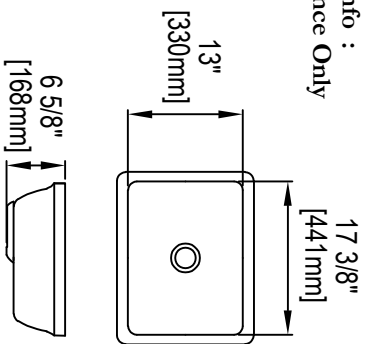
Scale :
not to scale

Model Number :
VS-4922

Revision -01
Date : 21-03-2022

Drawn By :
Pavani.M

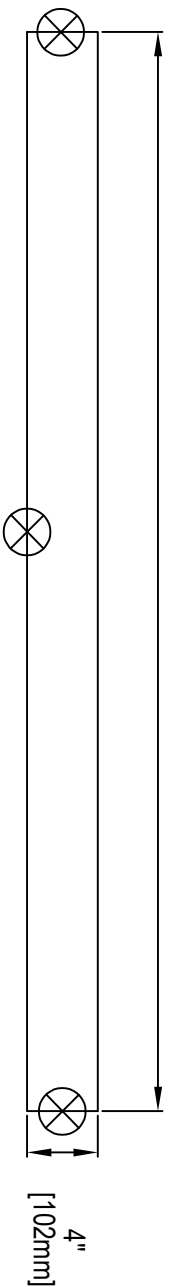
Sink Info :
For Reference Only



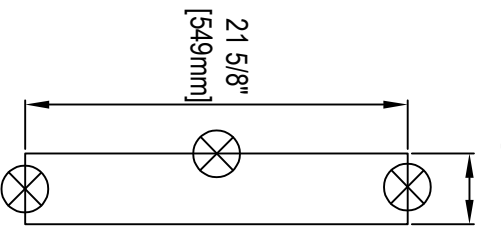
GRANITE/QUARTZ KEY NOTES:

- ⊗ = EDGE (STOVE POLISH)
 - BS = BACK SPLASH
 - SS = SIDE SPLASH
 - TR = 1/8" RADIUS
- ALL PARTS MADE TO SIZE UNLESS NOTED WITH A "RECTANGLE" ON THE DIMENSION

61"
[1549mm]



4"
[102mm]



2 1/2"
[64mm]

2 1/2"
[64mm]

4"
[102mm]

8"
[203mm]

3"
[76mm]

R 1"
TYP

TR

TR



Granite | Quartz | Countertops

virgin-surfaces.com

Virgin Surfaces, Plot No.133/A,
Phase III, 1 Pashyamilaram,
Sangareddy, Hyderabad,
Telangana, India -502307
E-mail : info@virgin-surfaces.com
Website : www.virgin-surfaces.com

These drawings or parts thereof are the property of Virgin Surfaces and may not be duplicated for any purpose without prior written consent from Virgin Surfaces.

Material Thickness :
2CM

Sink info :
Undermount
Suitable with
Model-019,020,021
Cut by Template

Title :
61" Vanity Top

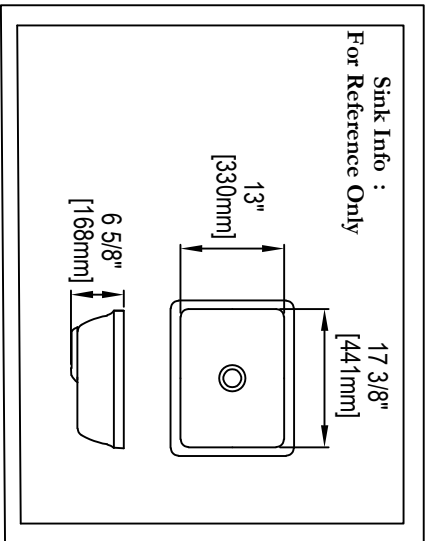
Packing info :
Corrugated box packing

Scale :
not to scale

Model Number :
VS-6122

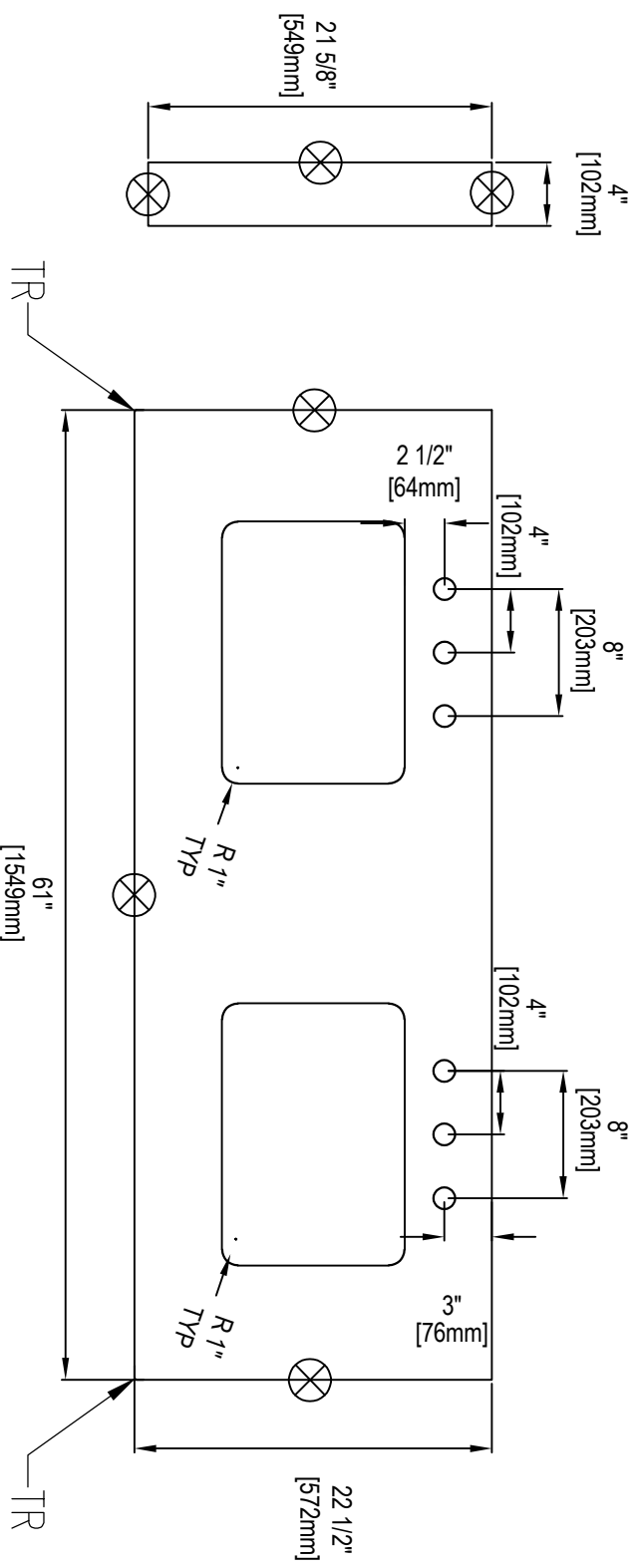
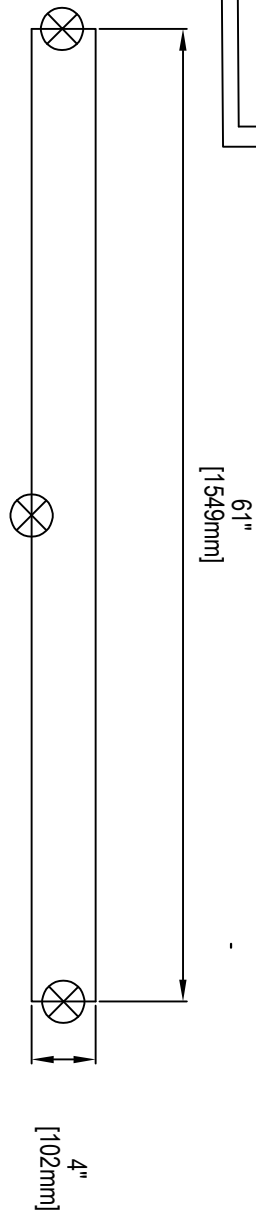
Revision -01
Date : 21-03-2022

Drawn By :
Pavani.M



GRANITE/QUARTZ KEY NOTES:

- ⊗ = EDGE (STOVE POLISH)
 - B5 = BACK SPLASH
 - SS = SIDE SPLASH
 - TR = 1/8" RADIUS
- ALL PARTS MADE TO SIZE UNLESS NOTED WITH A "RECTANGLE" ON THE DIMENSION



Virgin Surfaces, Plot No.133/A,
Phase III, 1 Pashyamilaram,
Sangareddy, Hyderabad,
Telangana, India -502307
E-mail : info@virginsurfaces.com
Website : www.virginsurfaces.com



These drawings or parts thereof are the property of Virgin Surfaces and may not be duplicated for any purpose without prior written consent from Virgin Surfaces.

Material Thickness :
2CM

Sink info :
Undermount
Suitable with
Model-019,020,021
Cut by Template

Title :
61" Vanity Top-Double Sink

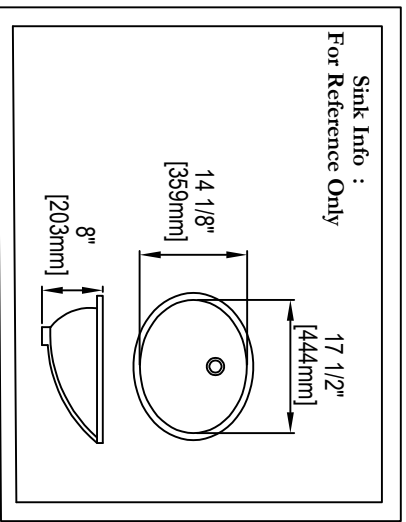
Packing info :
Corrugated box packing

Scale :
not to scale

Model Number :
VS-6122

Revision -01
Date : 21-03-2022

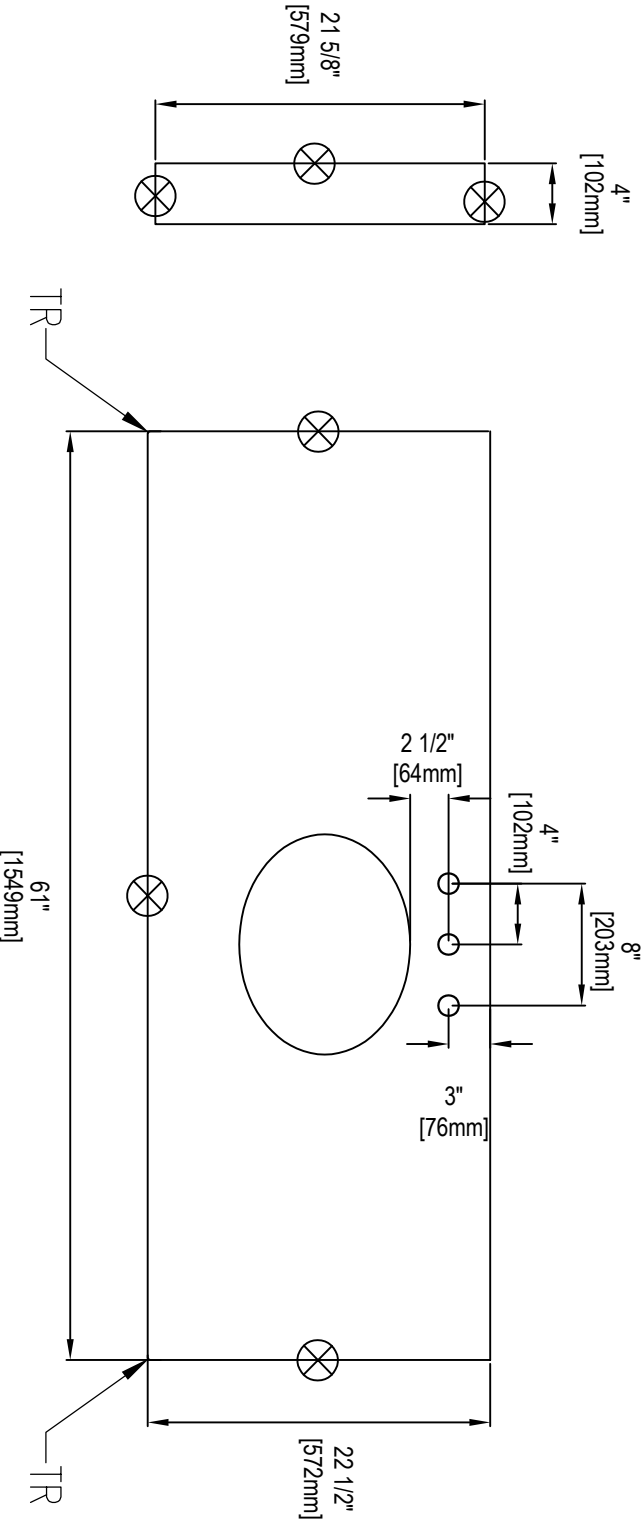
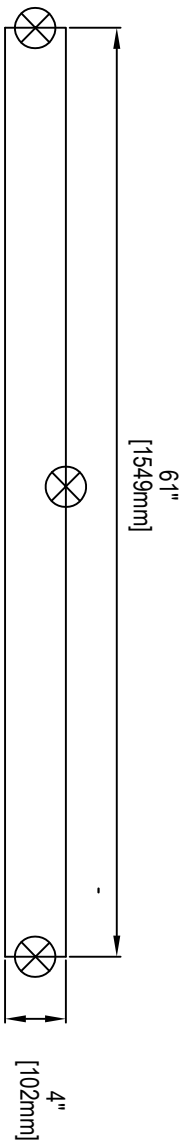
Drawn By :
Pavani.M



GRANITE/QUARTZ KEY NOTES:

- ⊗ = EDGE (STOVE POLISH)
- B5 = BACK SPLASH
- SS = SIDE SPLASH
- TR = 1/8" RADIUS

ALL PARTS MADE TO SIZE UNLESS NOTED WITH A "RECTANGLE" ON THE DIMENSION



Granite | Quartz | Countertops

virginsurfaces.com

Virgin Surfaces, Plot No.133/A,
Phase III, 1 Pashyanilaram,
Sangareddy, Hyderabad,
Telangana, India -502307
E-mail : info@virginsurfaces.com
Website : www.virginsurfaces.com

These drawings or parts thereof are the property of Virgin Surfaces and may not be duplicated for any purpose without prior written consent from Virgin Surfaces.

Material Thickness :
2CM

Sink info :
Undermount
Suitable with
Kohler Model-2210,2209
Cut by Template

Title :
61" Vanity Top

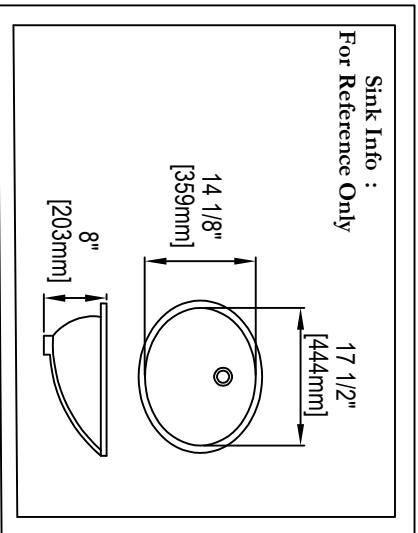
Packing info :
Corrugated box packing

Scale :
not to scale

Model Number :
VS-6122

Revision -01
Date : 21-03-2022

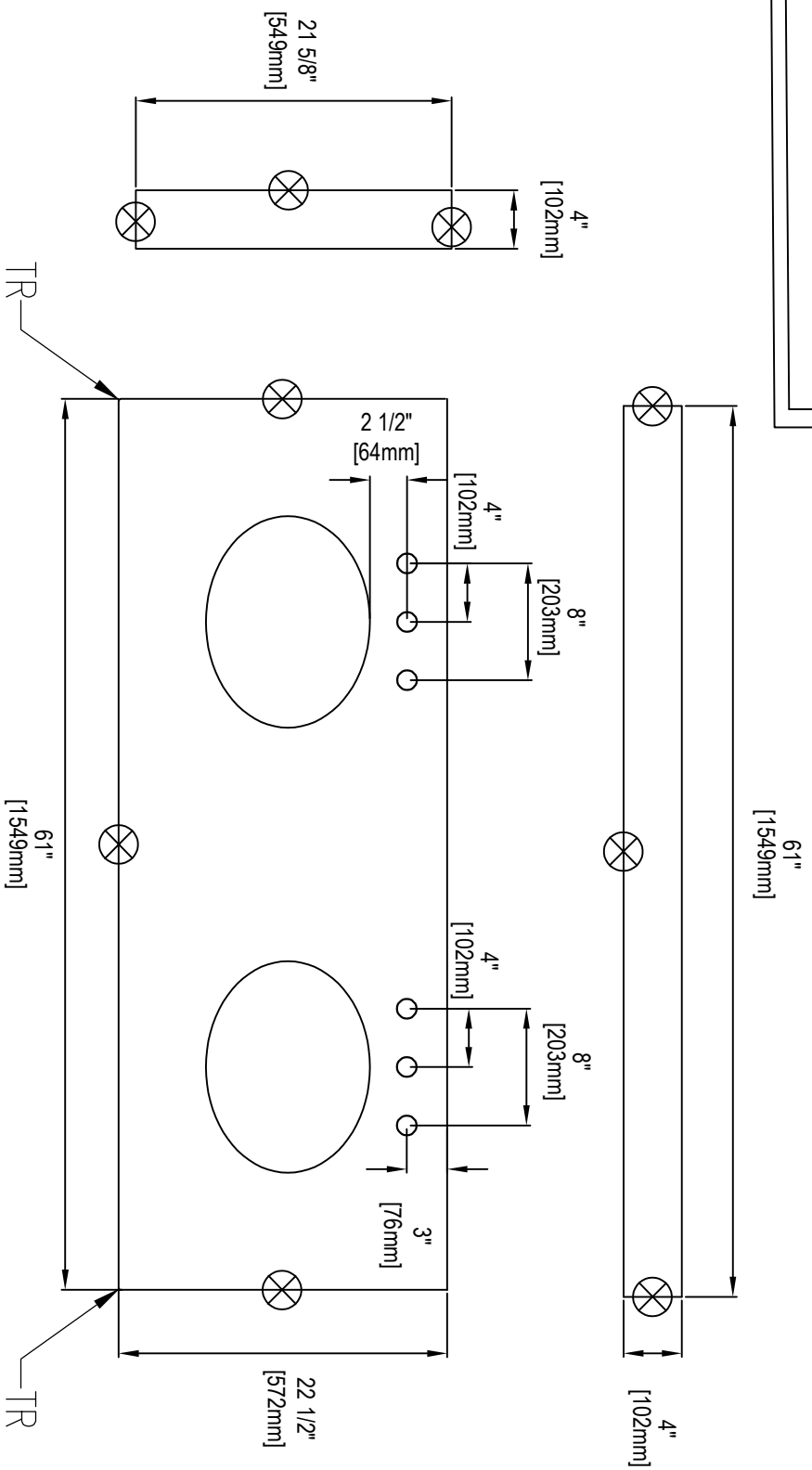
Drawn By :
Pavani.M



GRANITE/QUARTZ KEY NOTES:

- ⊗ = EDGE (STOVE POLISH)
- BS = BACK SPLASH
- SS = SIDE SPLASH
- TR = 1/8" RADIUS

ALL PARTS MADE TO SIZE UNLESS NOTED WITH A "RECTANGLE" ON THE DIMENSION



Virgin Surfaces, Plot No.133/A,
Phase III, 1 Pashyamilaram,
Sangareddy, Hyderabad,
Telangana, India – 502307
E-mail : info@virginsurfaces.com
Website : www.virginsurfaces.com



These drawings or parts thereof are the property of Virgin Surfaces and may not be duplicated for any purpose without prior written consent from Virgin Surfaces.

Material Thickness :
2CM

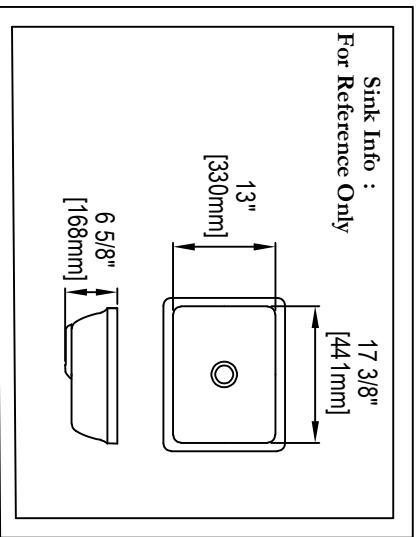
Sink info :
Undermount
Suitable with
Kohler Model-2210,2209
Cut by Template

Title :
61" Vanity Top-Double Sink
Packing info :
Corrugated box packing
Scale :
not to scale

Model Number :
VS-6122

Revision -01
Date : 21-03-2022

Drawn By :
Pavani.M



GRANITE/QUARTZ KEY NOTES:
 ⊗ = EDGE (STOVE POLISH)
 BS = BACK SPLASH
 SS = SIDE SPLASH
 TR = 1/8" RADIUS
 ALL PARTS MADE TO SIZE UNLESS NOTED WITH A "RECTANGLE" ON THE DIMENSION

Virgin Surfaces, Plot No.133/A,
 Phase III, 1 Pashyamilaram,
 Sangareddy, Hyderabad,
 Telangana, India -502307
 E-mail : info@virginsurfaces.com
 Website : www.virginsurfaces.com



These drawings or parts thereof are the property of Virgin Surfaces and may not be duplicated for any purpose without prior written consent from Virgin Surfaces.

Material Thickness :
2CM

Sink info :
Undermount
Suitable with
Model-019,020,021
Cut by Template

Title :
73" Vanity Top

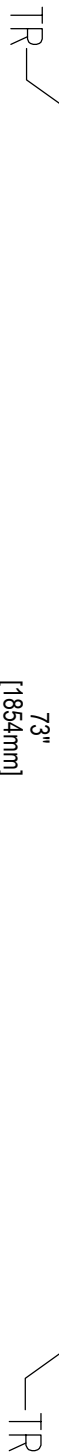
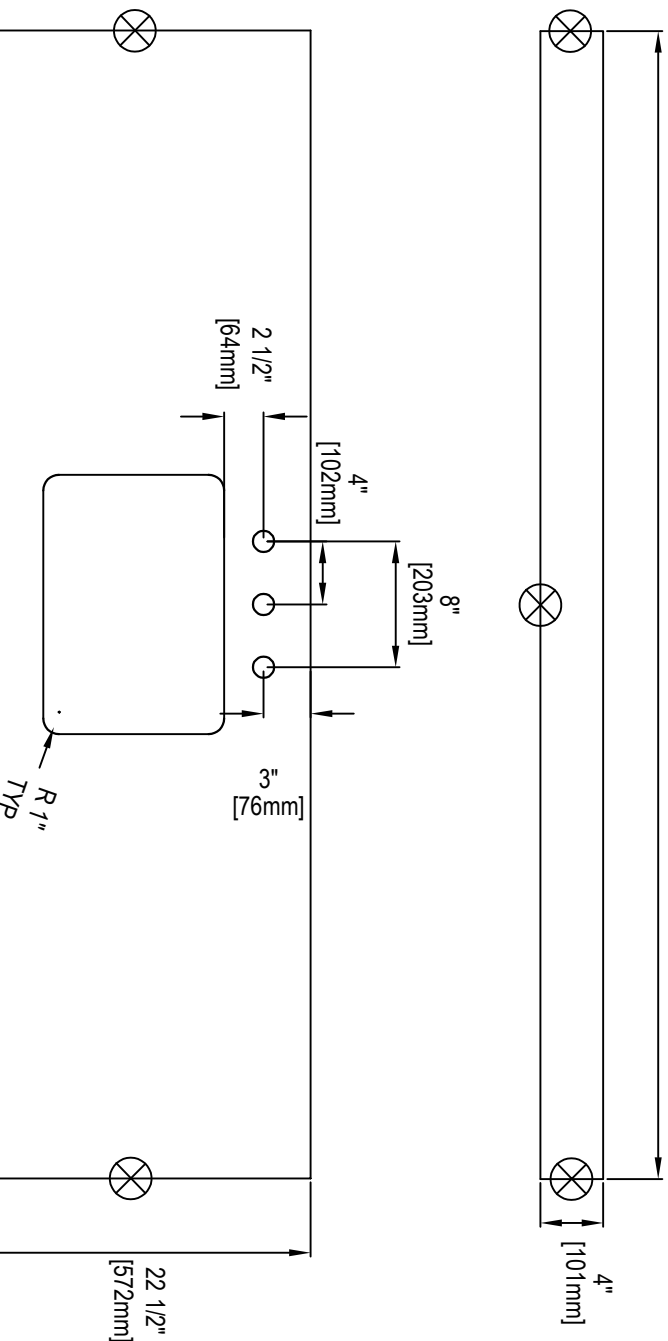
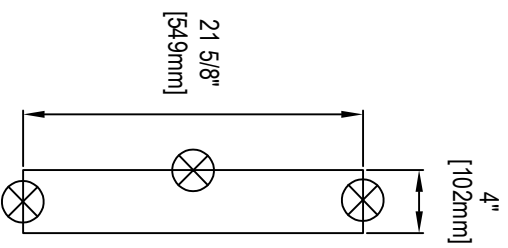
Packing info :
Corrugated box packing

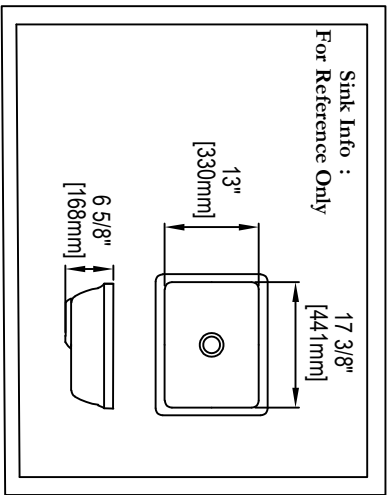
Scale :
not to scale

Model Number :
VS-7322

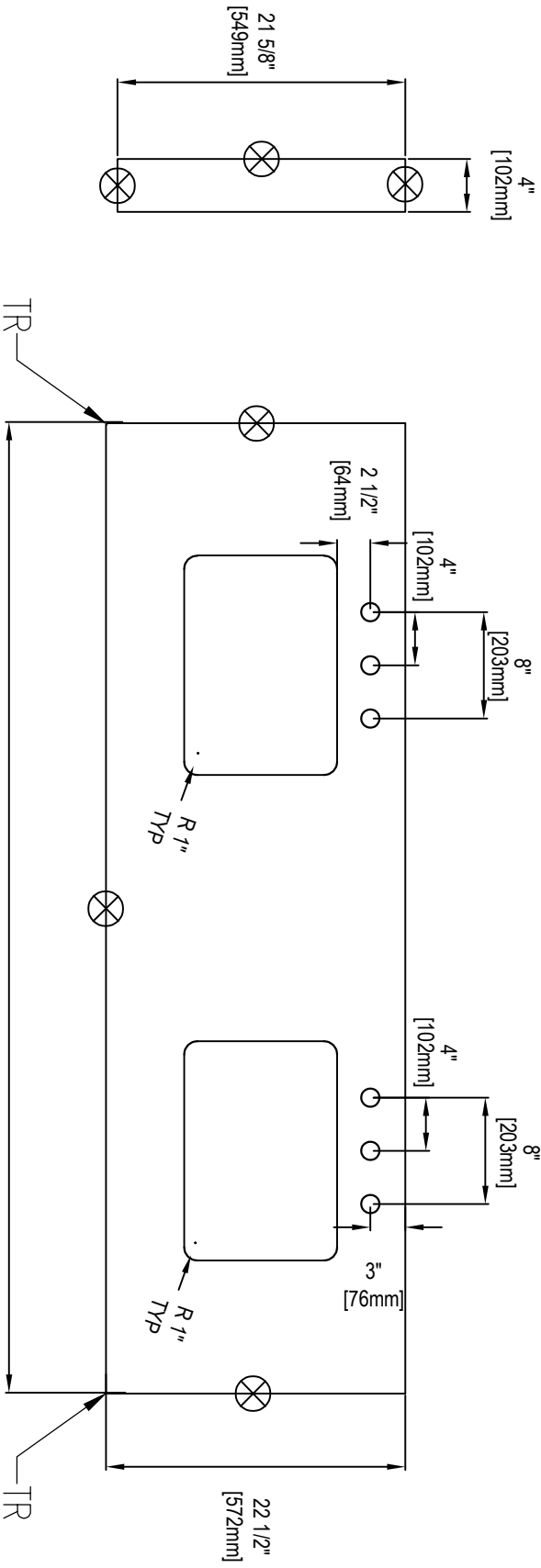
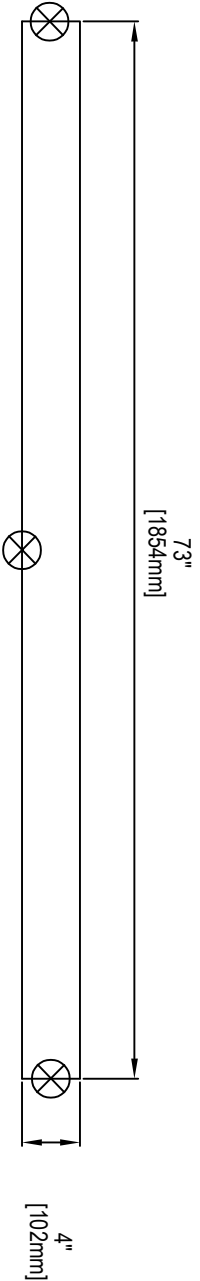
Revision -01
Date : 21-03-2022

Drawn By :
Pavani.M





GRANITE/QUARTZ KEY NOTES:
 ⊗ = EDGE (STOVE POLISH)
 BS = BACK SPLASH
 SS = SIDE SPLASH
 TR = 1/8" RADIUS
 ALL PARTS MADE TO SIZE UNLESS NOTED WITH A "RECTANGLE" ON THE DIMENSION



Virgin Surfaces, Plot No.133/A,
 Phase III, 1 Pashyanullaram,
 Sangareddy, Hyderabad,
 Telangana, India -502307
 E-mail : info@virginsurfaces.com
 Website : www.virginsurfaces.com



These drawings or parts thereof are the property of Virgin Surfaces and may not be duplicated for any purpose without prior written consent from Virgin Surfaces.

Material Thickness :
 2CM

Sink info :
 Undermount Suitable with Model-019,020,021 Cut by Template

Title :
 73" Vanity Top-Double Tops

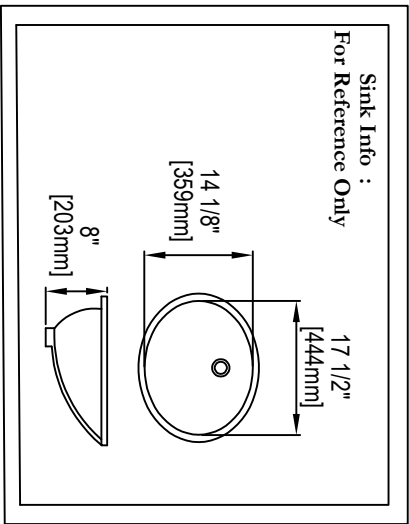
Packing info :
 Corrugated box packing

Scale :
 not to scale

Model Number :
 VS-7322

Revision -01
 Date : 21-03-2022

Drawn By :
 Pavani.M



GRANITE/QUARTZ KEY NOTES:

- ⊗ = EDGE (STOVE POLISH)
- BS = BACK SPLASH
- SS = SIDE SPLASH
- TR = 1/8" RADIUS

ALL PARTS MADE TO SIZE UNLESS NOTED WITH A "RECTANGLE" ON THE DIMENSION



Virgin Surfaces, Plot No.133/A,
Phase III, 1 Pashyamilaram,
Sangareddy, Hyderabad,
Telangana, India -502307
E-mail : info@virgin-surfaces.com
Website : www.virgin-surfaces.com

These drawings or parts thereof are the property of Virgin Surfaces and may not be duplicated for any purpose without prior written consent from Virgin Surfaces.

Material Thickness :
2CM

Sink info :
Undermount
Suitable with
Kohler Model-2210,2209
Cut by Template

Title :
73" Vanity Top-Double Tops

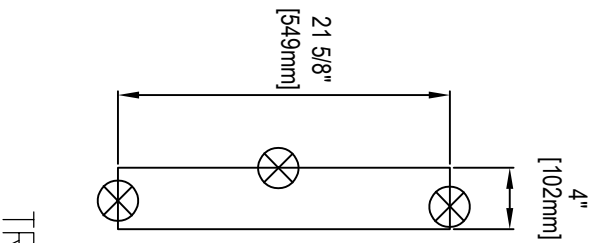
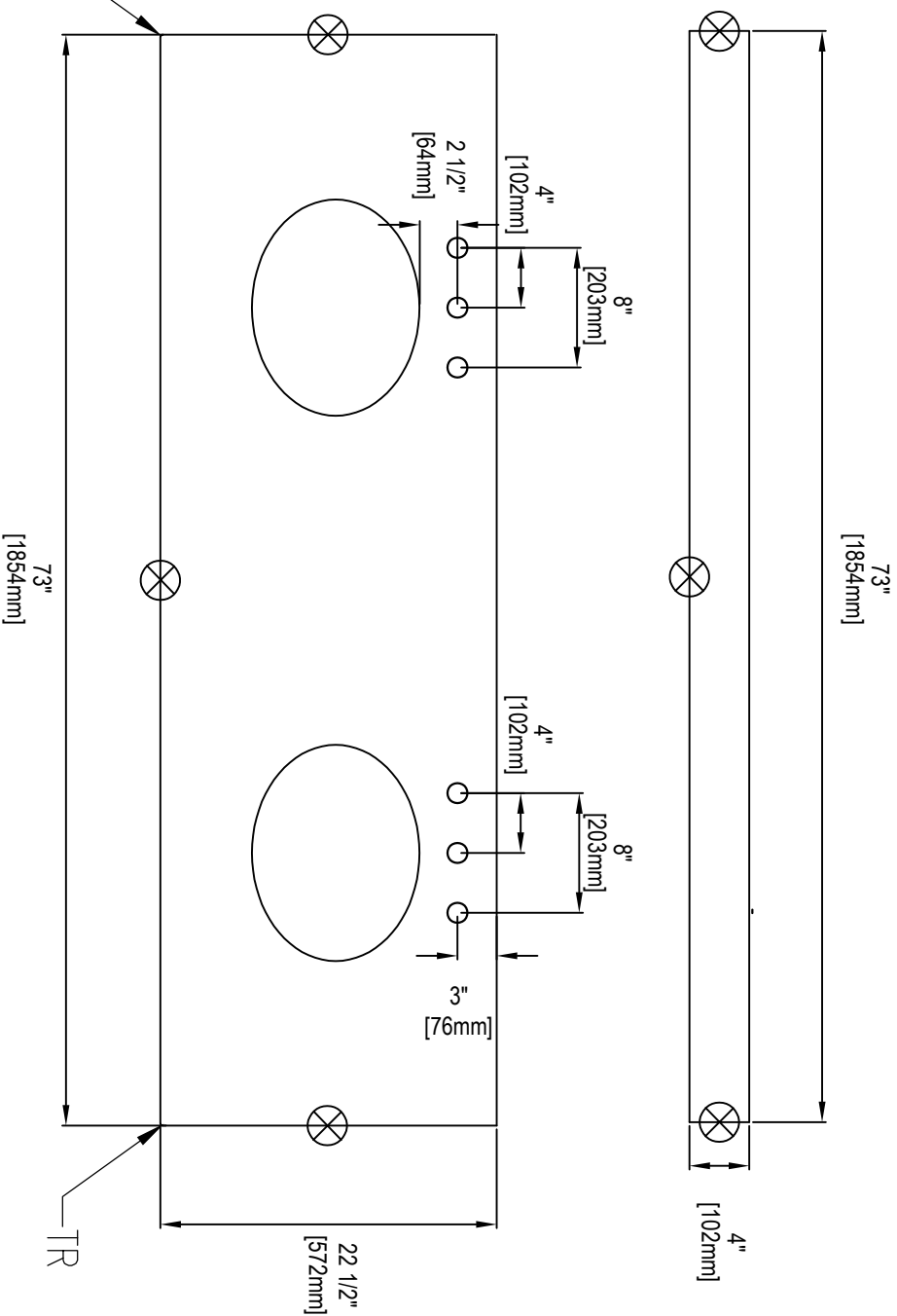
Packing info :
Corrugated box packing

Scale :
not to scale

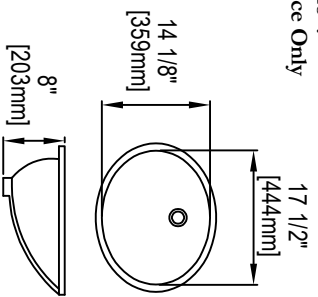
Model Number :
VS-7322

Revision -01
Date : 21-03-2022

Drawn By :
Pavani.M

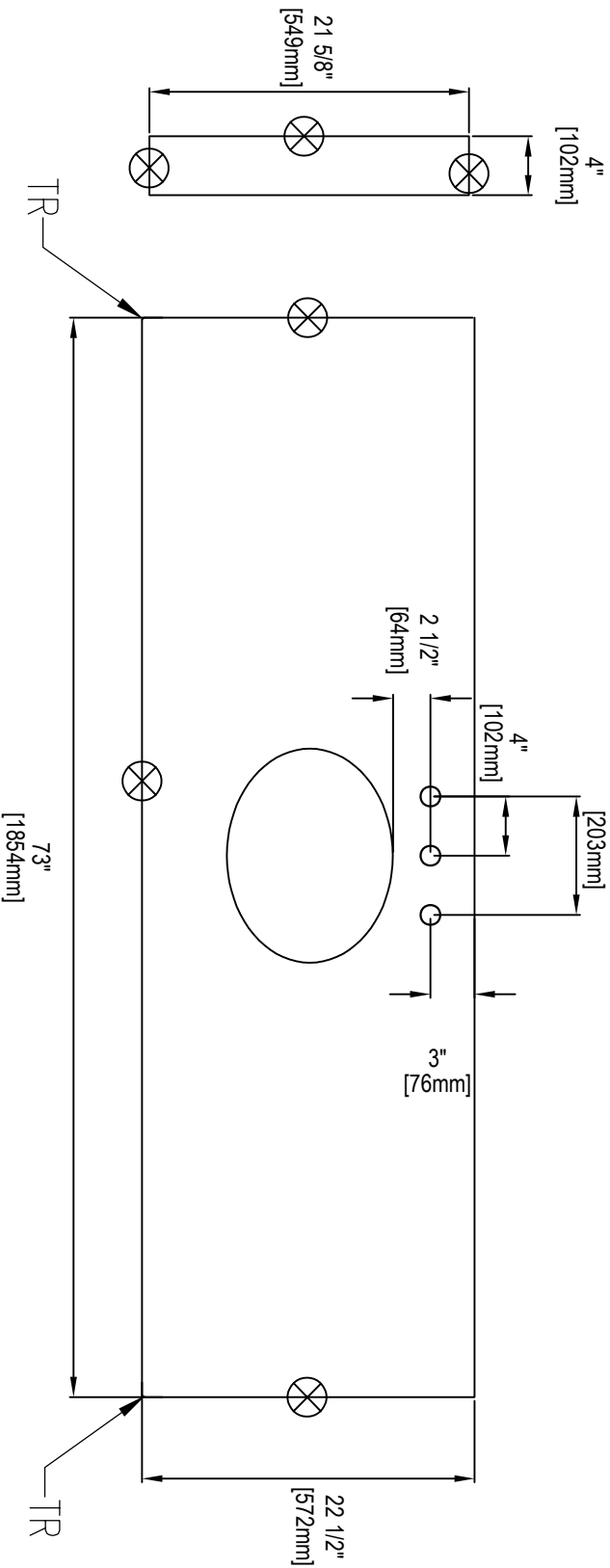


Sink Info :
For Reference Only



GRANITE/QUARTZ KEY NOTES:

- ⊗ = EDGE (STOVE POLISH)
 - BS = BACK SPLASH
 - SS = SIDE SPLASH
 - TR = 1/8" RADIUS
- ALL PARTS MADE TO SIZE UNLESS NOTED WITH A "RECTANGLE" ON THE DIMENSION



virginurfaces.com

Virgin Surfaces, Plot No.133/A,
Phase III, 1 Pashyamiaram,
Sangareddy, Hyderabad,
Telangana, India -502307
E-mail : info@virginurfaces.com
Website : www.virginurfaces.com

These drawings or parts thereof are the property of Virgin Surfaces and may not be duplicated for any purpose without prior written consent from Virgin Surfaces.

Material Thickness :
2CM

Sink info :
Undermount
Suitable with
Kohler Model-2210,2209
Cut by Template

Title :
73" Vanity Top

Packing info :
Corrugated box packing

Scale :
not to scale

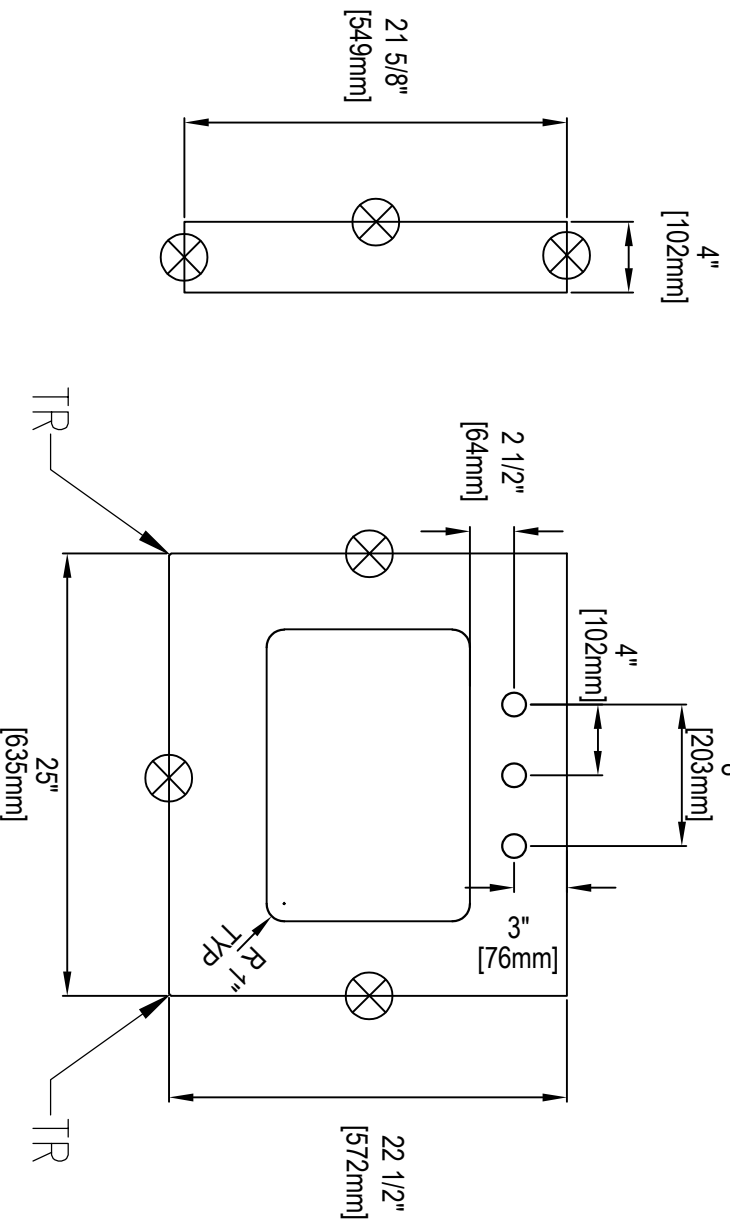
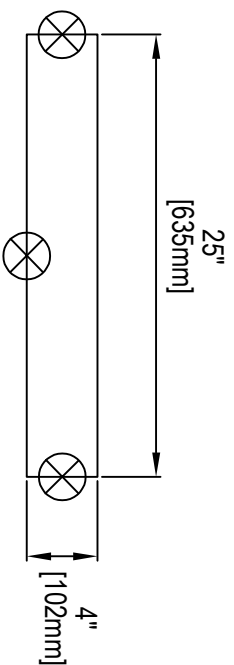
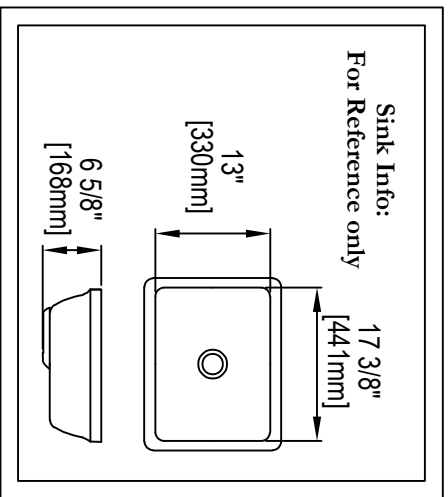
Model Number :
VS-7322

Revision -01
Date : 21-03-2022

Drawn By :
Pavani.M

GRANITE/QUARTZ KEY NOTES:

- ⊗ = EDGE (STOVE POLISH)
 - BS = BACK SPLASH
 - SS = SIDE SPLASH
 - TR = 1/8" RADIUS
- ALL PARTS MADE TO SIZE UNLESS NOTED WITH A "RECTANGLE" ON THE DIMENSION



Virgin Surfaces, Plot No.133/A,
Phase III, 1 Pashyamilaram,
Sangareddy, Hyderabad,
Telangana, India -502307
E-mail : info@virginsurfaces.com
Website : www.virginsurfaces.com



Granite | Quartz | Countertops

Virgin Surfaces

virginsurfaces.com

These drawings or parts thereof are the property of Virgin Surfaces and may not be duplicated for any purpose without prior written consent from Virgin Surfaces.

Material Thickness :
2CM

Sink info :
Undermount
Suitable with
Kohler Model-019,020,021
Cut by Template

Title :
25" Vanity Top

Packing info :
Corrugated box packing

Scale :
not to scale

Model Number :
VS-2522

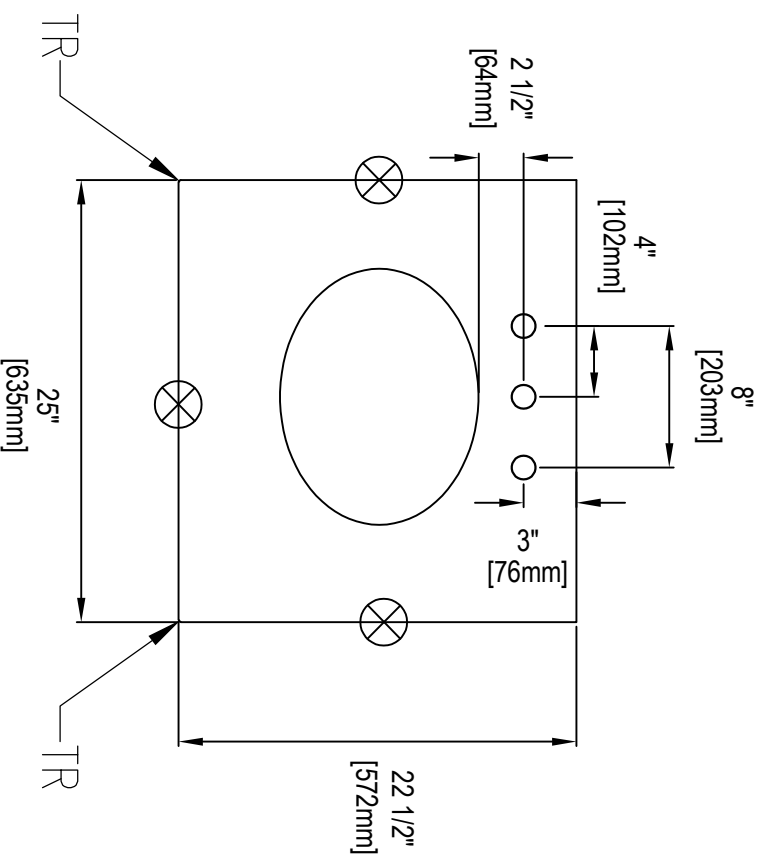
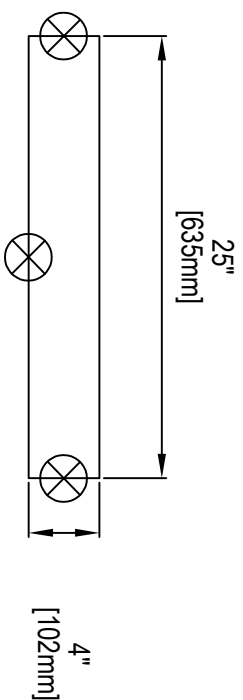
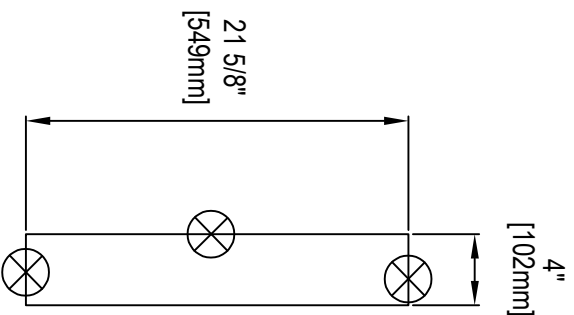
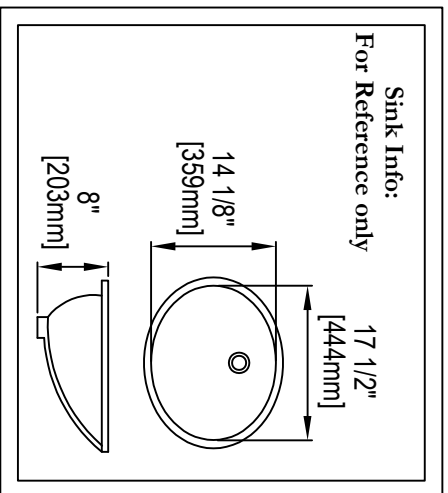
Revision -01
Date : 21-03-2022

Drawn By :

Pavani . M

GRANITE/QUARTZ KEY NOTES:

- ⊗ = EDGE (STOVE POLISH)
 - BS = BACK SPLASH
 - SS = SIDE SPLASH
 - TR = 1/8" RADIUS
- ALL PARTS MADE TO SIZE UNLESS NOTED WITH A "RECTANGLE" ON THE DIMENSION



Granite | Quartz | Countertops

virgin-surfaces.com

Virgin Surfaces, Plot No.133/A,
Phase III, 1 Pashyamiaram,
Sangareddy, Hyderabad,
Telangana, India -502307
E-mail : info@virgin-surfaces.com
Website : www.virgin-surfaces.com

These drawings or parts thereof are the property of Virgin Surfaces and may not be duplicated for any purpose without prior written consent from Virgin Surfaces.

Material Thickness :
2CM

Sink info :
Undermount
Suitable with
Kohler Model-2210,2209
Cut by Template

Title :
25" Vanity Top

Packing info :
Corrugated box packing

Scale :
not to scale

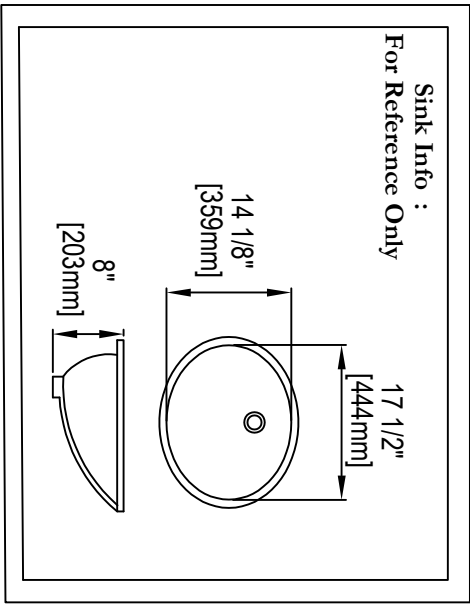
Model Number :
VS-2522

Revision -01
Date : 21-03-2022

Drawn By :

Pavani. M

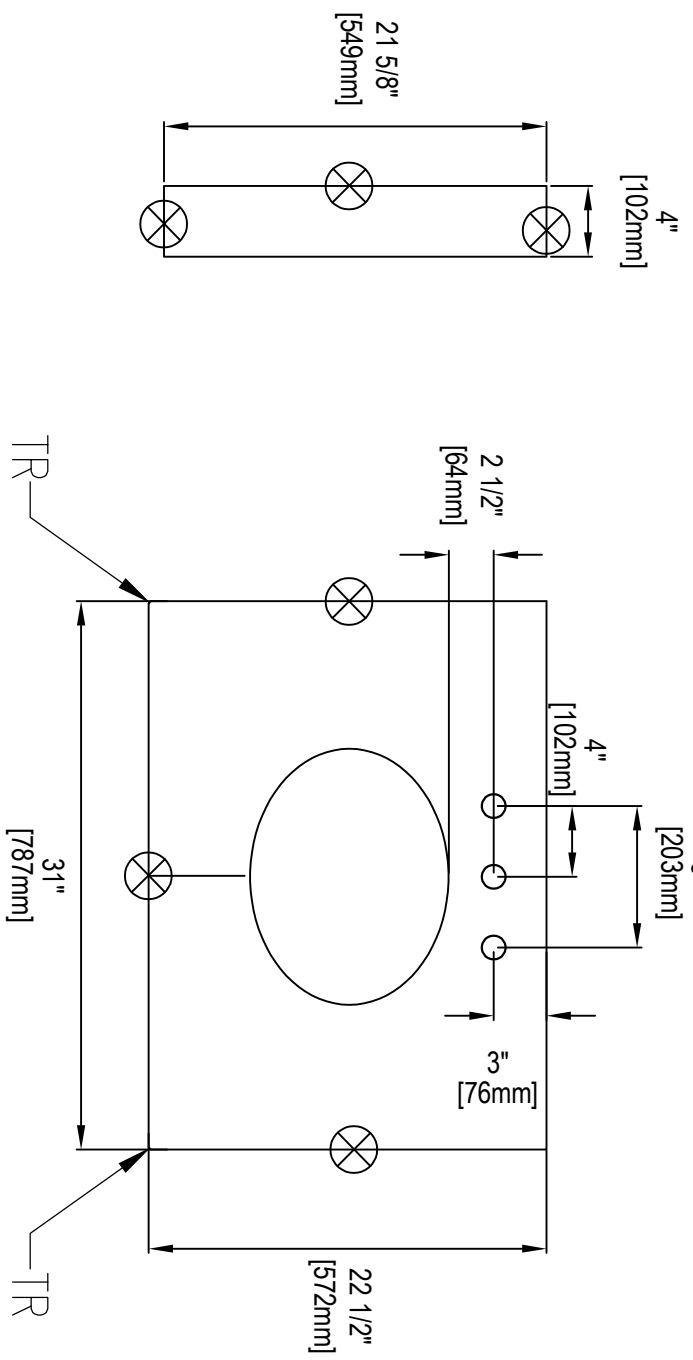
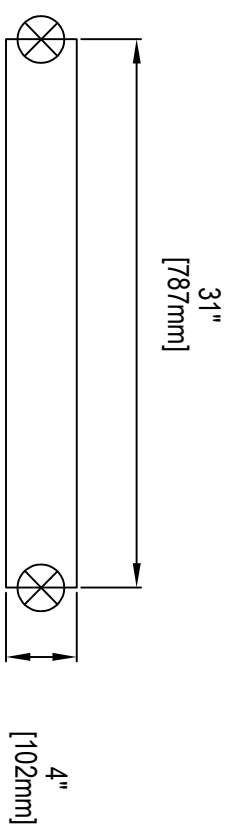
Sink Info :
For Reference Only



GRANITE/QUARTZ KEY NOTES:

- ⊗ = EDGE (STOVE POLISH)
- BS = BACK SPLASH
- SS = SIDE SPLASH
- TR = 1/8" RADIUS

⊗ ALL PARTS MADE TO SIZE UNLESS NOTED WITH A "RECTANGLE" ON THE DIMENSION



Virgin Surfaces, Plot No.133/A,
Phase III, 1 Pashyamilaram,
Sangareddy, Hyderabad,
Telangana, India -502307
E-mail : info@virginsurfaces.com
Website : www.virginsurfaces.com



virginsurfaces.com

These drawings or parts thereof are the property of Virgin Surfaces and may not be duplicated for any purpose without prior written consent from Virgin Surfaces.

Material Thickness :
2CM

Sink info :
Undermount
Suitable with
Kohler Model-2210,2209
Cut by Template

Title :
31" Vanity Top

Packing info :
Corrugated box packing

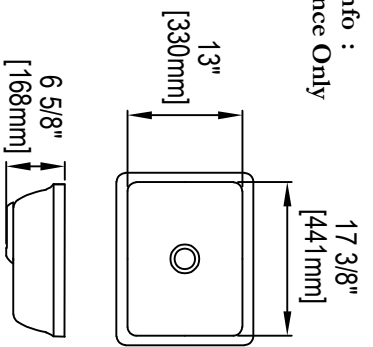
Scale :
not to scale

Model Number :
VS-3122

Revision -01
Date : 18-03-2022

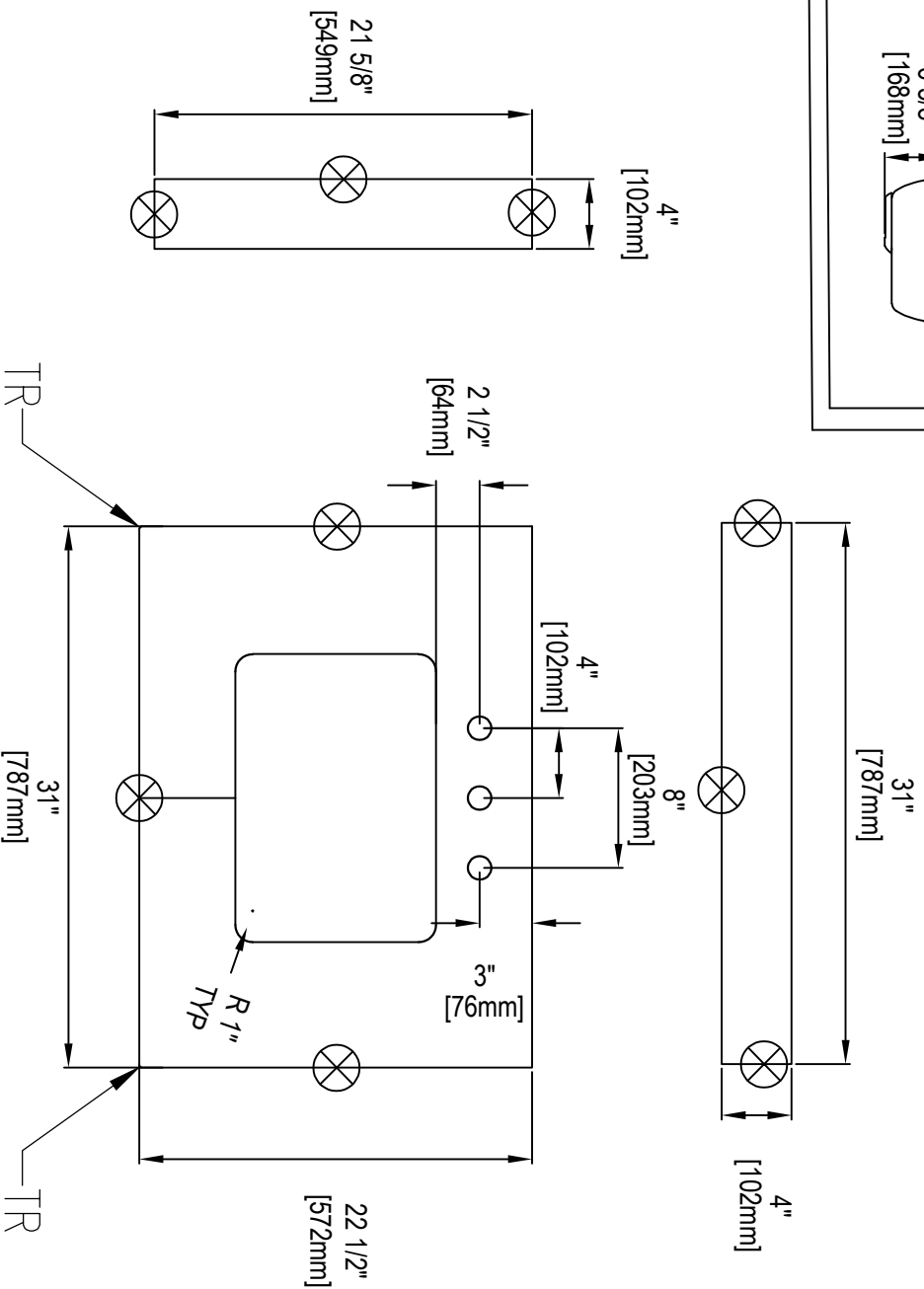
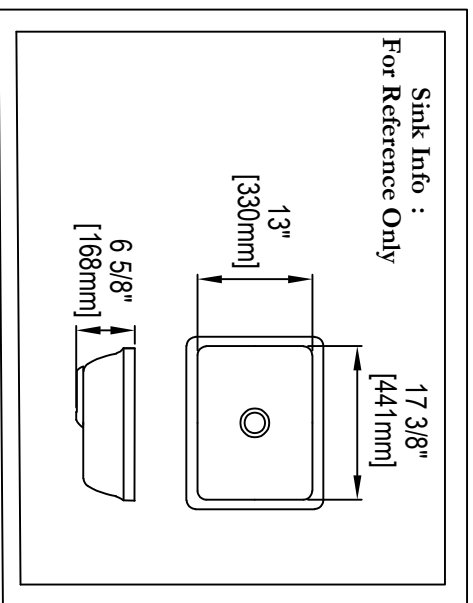
Drawn By :
Pavani.M

Sink Info :
For Reference Only



GRANITE/QUARTZ KEY NOTES:

- ⊗ = EDGE EDGE (STOVE POLISH)
 - BS = BACK SPLASH
 - SS = SIDE SPLASH
 - TR = 1/8" RADIUS
- ALL PARTS MADE TO SIZE UNLESS NOTED WITH A "RECTANGLE" ON THE DIMENSION



Virgin Surfaces, Plot No.133/A,
Phase III, 1 Pashyamilaram,
Sangareddy, Hyderabad,
Telangana, India -502307
E-mail : info@virginsurfaces.com
Website : www.virginsurfaces.com



virginsurfaces.com

These drawings or parts thereof are the property of Virgin Surfaces and may not be duplicated for any purpose without prior written consent from Virgin Surfaces.

Material Thickness :
2CM

Sink info :
Undermount
Suitable with
Model-019,020,021
Cut by Template

Title :
31" Vanity Top

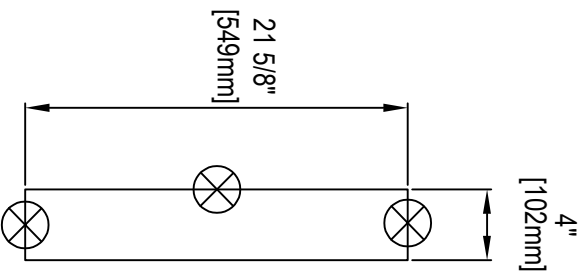
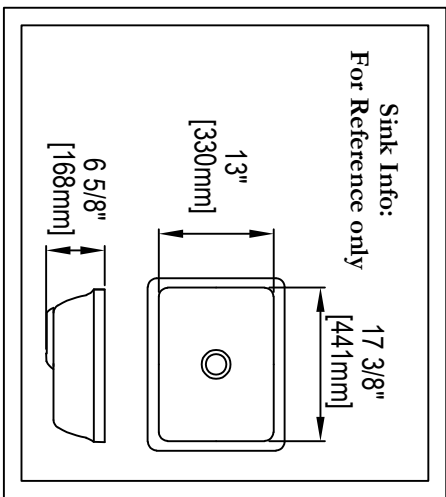
Packing info :
Corrugated box packing

Scale :
not to scale

Model Number :
VS-3122

Revision -01
Date : 21-03-2022

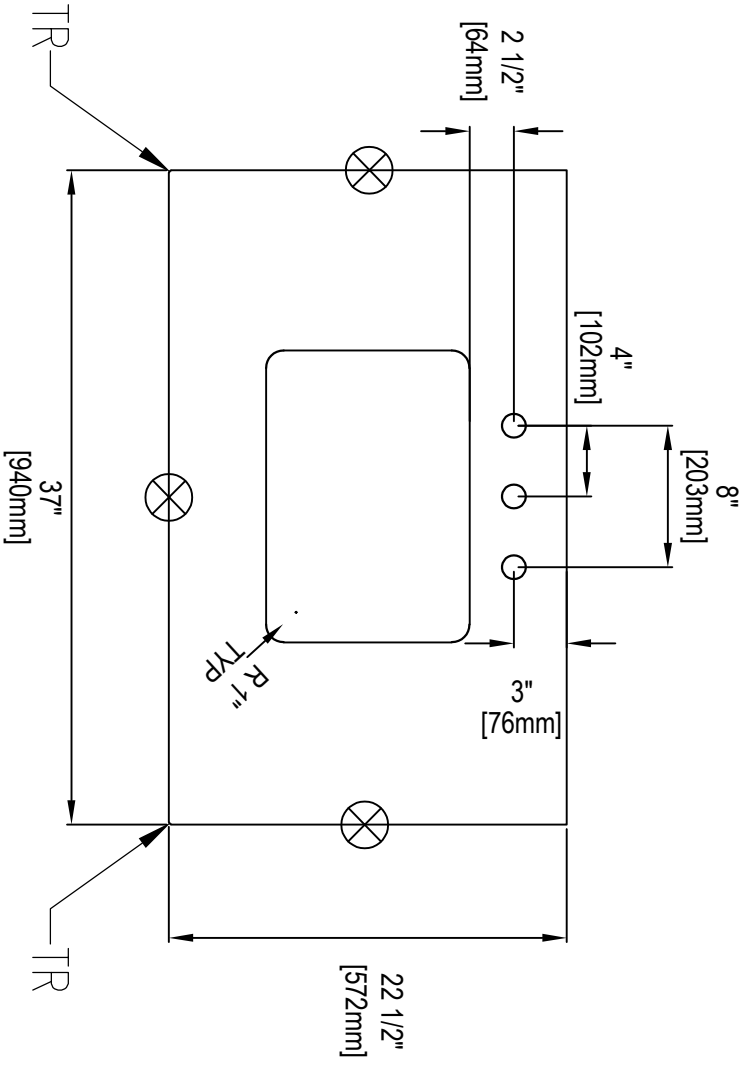
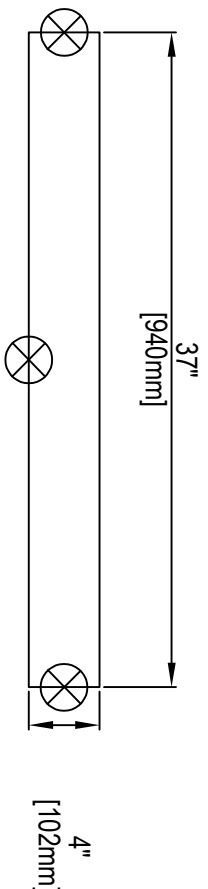
Drawn By :
Pavani.M



GRANITE/QUARTZ KEY NOTES:

- ⊗ = EDGE (STOVE POLISH)
- BS = BACK SPLASH
- SS = SIDE SPLASH
- TR = 1/8" RADIUS

ALL PARTS MADE TO SIZE UNLESS NOTED WITH A "RECTANGLE" ON THE DIMENSION



Virgin Surfaces, Plot No.133/A,
Phase III, 1 Pashyamilaram,
Sangareddy, Hyderabad,
Telangana, India -502307
E-mail : info@virginsurfaces.com
Website : www.virginsurfaces.com



These drawings or parts thereof are the property of Virgin Surfaces and may not be duplicated for any purpose without prior written consent from Virgin Surfaces.

Material Thickness :
2CM

Sink info :
Undermount
Suitable with
Kohler Model-019,020,021
Cut by Template

Title :
37" Vanity Top

Packing info :
Corrugated box packing

Scale :
not to scale

Model Number :
VS-3722

Revision -01
Date : 21-03-2022

Drawn By :
Pavani.M